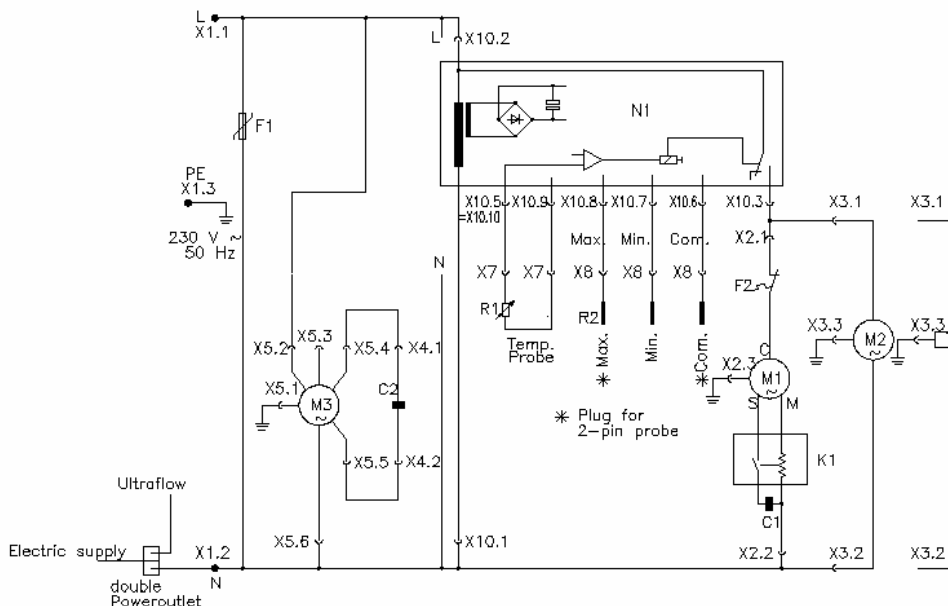


Ultraflow - Mobile Bar

1. CR11 Circuit diagram



- C1 Start capacitor
 - C2 Capacitor agitator
 - F1 Variator 514 K275
 - F2 Temp. protection
 - K1 Start relay
 - M1 Compressor
 - M2 Fan motor
 - M3 Agitator motor
 - N1 Temperatur / Ice bank control board
 - R1 Temperatur probe
 - R2 Ice bank probe
 - X1 Terminal block
 - X2 Plug Compressor
 - X3 Plug fan motor
 - X4 Plug capacitor agitator
 - X5 Plug agitator
 - X7 Plug temp. probe
 - X8 Plug ice bank probe
 - X10 Main connection control board
 - Y1 Solenoid Valve
- Satellit unit: Y1 instead of M1, M2, C1, K1 and F2

2. Flow chart

