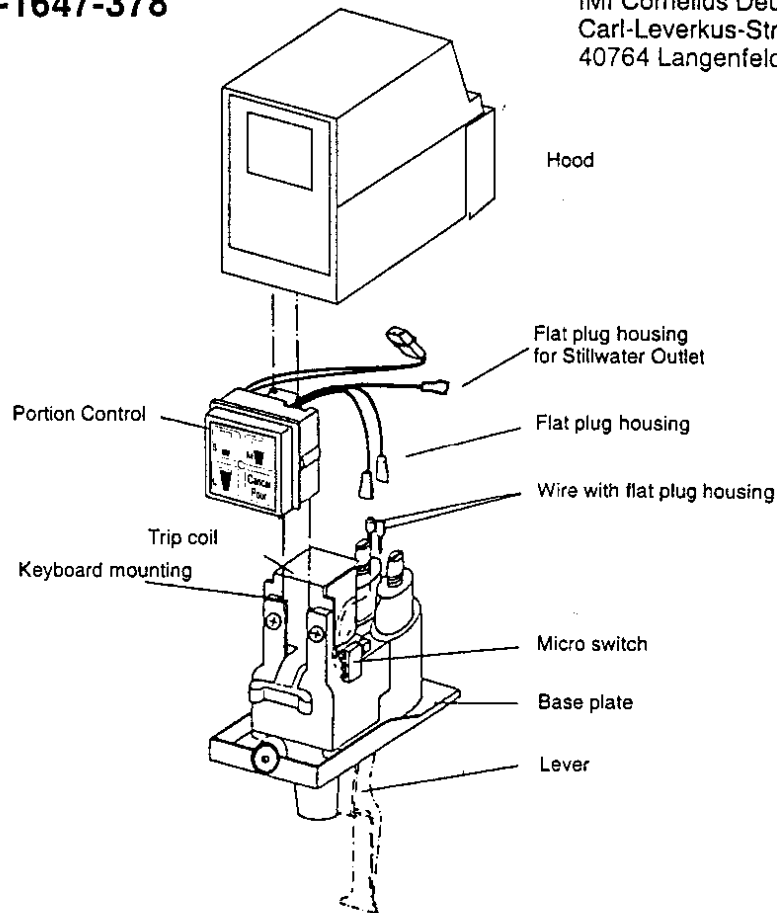


**MT2
PORTION CONTROL
PN 14-1647-378**



IMI Cornelius Deutschland GmbH
Carl-Leverkus-Straße 15
40764 Langenfeld



Voltage: 24V, 50-60Hz
Working temperature: -10°C to +45°C

Attention:

The Timer has an integrated power reducer. Therefore, operation with an external power reducer is not allowed.

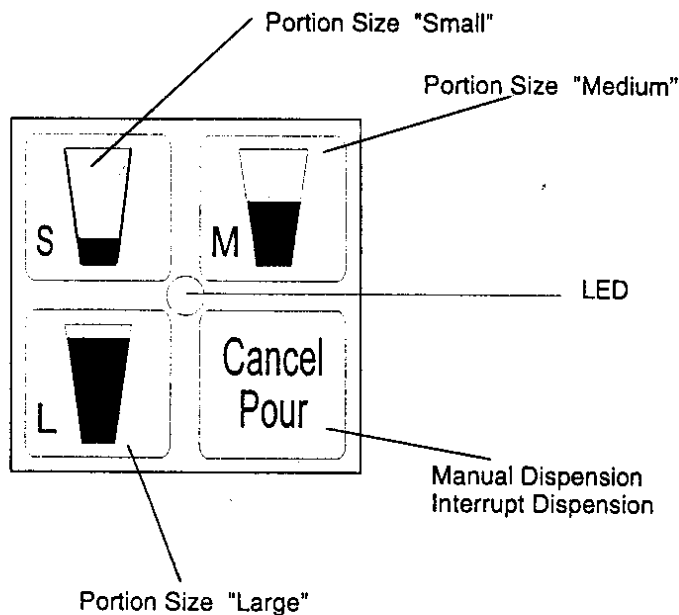
Mounting Instructions

1. Detach hood.
2. Cut off lever from base plate and trim.
3. Pull off wire from the micro switch of the trip coil and remove.
4. Push PORTION CONTROL into the mounting at the valve.
5. Stick 6,3 mm accessory shoe onto trip coil and connect flat plug housing to existing socket housing.
6. Screw down hood with channeling.

*7. For still beverages, the Stillwater Outlet also must be connected.

When connecting several Stillwater Outlets, same polarity for all outlets must be obeyed.

Operating Directions



Programming Mode

Running Time

1. Place cup under the dispensation valve.
2. Press buttons "S" and "M" simultaneously until LED in the centre is lighted.
3. Fill cup by pressing one of the buttons "S", "M" or "L".
4. Press "Cancel/Pour" when the desired hold-up is reached.
(By doing so, total running time is saved.)

Foam Stopping Time

To prevent strongly foaming beverages from frothing, it may be necessary to interrupt the running time. To make this possible, up to two foam stopping times can be added to the earlier programmed running time.

1. Place empty cup under the dispensation valve.
2. Press buttons "M" and "L" simultaneously until centre LED is flashing.
3. Press button for desired beverage. Dispensation starts as soon as this button is released.
4. Dispensation is stopped by pressing this button again. This break will be added to the dispensation time as stopping time.
5. The valve will close automatically as soon as the programmed portion size has been reached.

Dispensing Mode

1. Place cup under dispensation valve.
 2. Press matching beverage button.
(Programmed portion size is running into the cup. Centre LED is ~~flashing~~ **shining** during dispensation.)
- Dispensation can be interrupted by pressing any button.

Fast flashing LED indicates any occurring error. The unit has to be seperated from distribution voltage for repair.